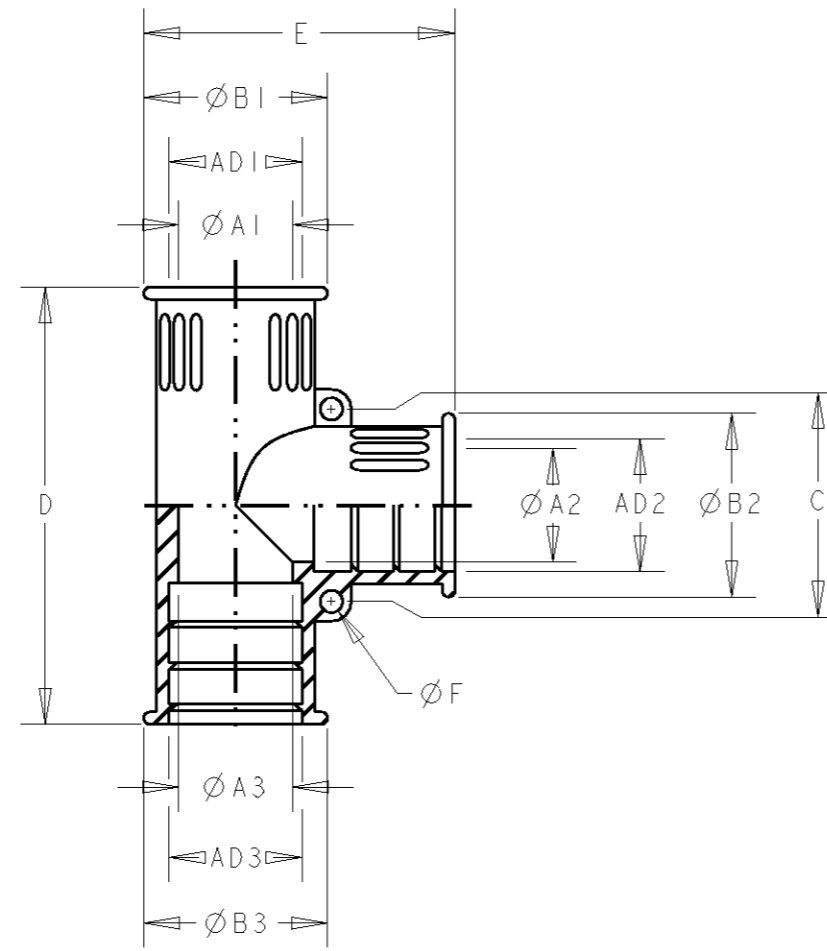


THIS DRAWING IS UNPUBLISHED. RELEASED FOR PUBLICATION  
 BY TYCO ELECTRONICS CORPORATION. ALL RIGHTS RESERVED.

LOC	DIST	REVISIONS					
FT	0	P	LTR	DESCRIPTION	DATE	DWN	APVD
		O		RLSE PER NPR 5741	-	-	-
		A		0G3B-0631-00	31JAN2001	EZ	MC
		B		REVISED PER 0G3B-0139-01	25MAR2002	EZ	SH



1 Material: TPE  
 2 DIN 16901-140

6.0	10	4	52.8	74.5	96.0	52.5	52.5	52.5	39.7	39.7	39.7	3 x 42.5	Grey	3-796281-1
4.0	10	4	42.0	64.0	85.0	42.5	42.5	42.5	31.5	31.5	31.5	3 x 34.5	Grey	3-796281-0
2.9	10	4	42.0	57.5	83.5	36.5	42.5	36.5	25.5	31.5	25.5	2 x 28.5/1 x 34.5	Grey	2-796281-9
2.7	10	4	37.0	57.5	77.0	36.5	36.5	36.5	25.5	25.5	25.5	3 x 28.5	Grey	2-796281-8
2.5	10	4	24.5	56.0	65.0	36.5	25.5	36.5	25.5	14.0	25.5	2 x 28.5/1 x 15.8	Grey	2-796281-7
2.8	10	4	38.5	51.0	78.0	32.0	36.5	32.0	18.0	25.5	18.0	2 x 21.2/1 x 28.5	Grey	2-796281-6
1.8	10	4	29.5	50.0	71.0	29.5	29.5	29.5	18.0	18.0	18.0	3 x 21.2	Grey	2-796281-5
1.6	10	4	24.3	48.5	70.5	26.5	26.5	26.5	15.0	15.0	15.0	3 x 18.5	Grey	2-796281-4
1.4	10	4	24.5	44.0	63.0	25.0	25.0	25.0	14.0	14.0	14.0	3 x 15.8	Grey	2-796281-3
0.8	10	4	21.0	36.0	51.0	21.0	21.0	21.0	10.0	10.0	10.0	3 x 13.0	Grey	2-796281-2
0.6	10	4	18.3	32.5	46.5	17.5	17.5	17.5	7.0	7.0	7.0	3 x 10.0	Grey	2-796281-1
6.0	10	4	52.8	74.5	96.0	52.5	52.5	52.5	39.7	39.7	39.7	3 x 42.5	Black	1-796281-1
2.5	10	4	24.5	56.0	65.0	36.5	25.5	36.5	25.5	14.0	25.5	2 x 28.5/1 x 15.8	Black	1-796281-0
1.6	10	4	24.3	48.5	70.5	26.5	26.5	26.5	15.0	15.0	15.0	3 x 18.5	Black	796281-9
0.6	10	4	18.3	32.5	46.5	17.5	17.5	17.5	7.0	7.0	7.0	3 x 10.0	Black	796281-8
3.9	10	4	42.0	64.0	85.0	42.5	42.5	42.5	31.5	31.5	31.5	3 x 34.5	Black	796281-7
3.2	10	4	42.0	57.5	83.5	36.5	42.5	36.5	25.5	31.5	25.5	2 x 28.5/1 x 34.5	Black	796281-6
2.7	10	4	37.0	57.5	77.0	36.5	36.5	36.5	25.5	25.5	25.5	3 x 28.5	Black	796281-5
2.3	10	4	38.5	51.0	78.0	32.0	36.5	32.0	18.0	25.5	18.0	2 x 21.2/1 x 28.5	Black	796281-4
1.8	10	4	29.5	50.0	71.0	29.5	29.5	29.5	18.0	18.0	18.0	3 x 21.2	Black	796281-3
1.4	10	4	24.5	44.0	63.0	25.0	25.0	25.0	14.0	14.0	14.0	3 x 15.8	Black	796281-2
0.8	10	4	21.0	36.0	51.0	21.0	21.0	21.0	10.0	10.0	10.0	3 x 13.0	Black	796281-1
Approx. Weight kg/100p	Packaging Unit	∅F	C	E	D	∅B3	∅B2	∅B1	∅A3	∅A2	∅A1	AD 1/2/3	Color	Part Number
		mm	mm	mm	mm	mm	mm	mm	mm	mm	mm	mm		
			Bore Distance	Total Width	Total Length	Largest Outer-∅			Smallest Inner-∅			Tubing Outer-∅		

THIS DRAWING IS A CONTROLLED DOCUMENT FOR TYCO ELECTRONICS CORPORATION. IT IS SUBJECT TO CHANGE AND THE CONTROLLING ENGINEERING ORGANIZATION SHOULD BE CONTACTED FOR THE LATEST REVISION.

DWN	S. WELDON	28JUN1999	AMP DEUTSCHLAND GmbH D - 63225 Langen	
CHK	M. CHACKO	28JUN1999		
APVD	M. CHACKO	28JUN1999		
PRODUCT SPEC				
APPLICATION SPEC			NAME	PLASTIC T DISTRIBUTOR
WEIGHT			SIZE	A2
CUSTOMER DRAWING			CAGE CODE	00779
			DRAWING NO	G-796281
			RESTRICTED TO	
			SCALE	NTS
			SHEET	1 OF 1
			REV	B